



VW GOLF GTI TCR
ENDURANCE HIGHLIGHTS KIT



General information

- Adaptation kit for endurance headlights “Lazer Triple-R”
- High performance Led lights
- Heavy duty polycarbonate lens
- Easy assembly and reworking front bumper and grill
- Easy switch on-off from the steering wheel control panel
- Automatic switch on-off linked with high beam headlights
- Adjustable beam angle



ENDURANCE HEADLIGHTS KIT



Endurance light content

➤ **Adaptation kit for endurance headlights** **5GV998055**

Kit content:

➤ Endurance bumper bar front	5F6807109C	x1
➤ Endurance headlight support 1 (left)	5GV853473	x1
➤ Endurance headlight support 2 (left)	5GV853473A	x1
➤ Endurance headlight support 1 (right)	5GV853474	x1
➤ Endurance headlight support 2 (right)	5GV853474A	x1
➤ Clamp screw M8X14	VN0008153000	x1
➤ Endurance headlight support lateral fix.	5F6853795	x1
➤ Endurance headlight support central fix.	5F6853795A	x1
➤ Endurance headlight support lateral fix.	5F6853796	x1
➤ Endurance headlight support central fix.	5F6853796A	x1
➤ Headlights harness	5F6971499	x1
➤ Allen bolt M8x14	_N_ 90308607	x4
➤ Splice Connector	VN0008153000	x1

IMPORTANT: Endurance headlights are not included on this kit. Customers can get them through the usual motorsport suppliers. See next page.



ENDURANCE HEADLIGHTS KIT

Lazer lights information



Volkswagen Motorsport

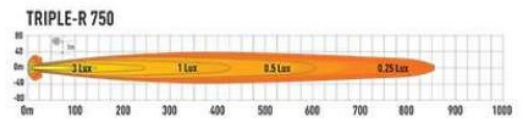
- Headlights adaptation kit designed for the characteristics and dimensions of the Lazer Triple-R 750.
- Lazer TRIPLE-R-750 reference: [6036-90E2](#)
- Available in NIMEX or ISA-Racing (Ger). Also can be found in other motorsport suppliers.
- More information about the Lazer lights at:
www.lazerlamps.com/motorsport/motorsport-lights/triple-r-750

TRIPLE-R

750 STANDARD



- Ultra long-range optics
- High output LED's from world leader in LED technology
- CAE optimised heatsink
- Electronic thermal management
- 'Unbreakable' polycarbonate lens





Installation process

- 1. Dismount** the front grille, front bumper and the std. bumper bar.
- 2. Rework** the front grille. Cutout the openings as showed on the drawing. Make a clean and accurate cut, it will be visual.
- 3. Rework** the front bumper. Use the reworked front grille as a template to mark the cutout line on the bumper.
- 4. Assembly** the new endurance front bumper bar.
- 5. Install** the endurance headlights supports and fix them softly.
- 6. Connect** the auxiliary harness. Free SuperSeal connector is available on the engine bay, behind the left headlight.
- 7. Check:** Switch on the new lights to verify it works before to go ahead with the final fixation.
- 8. Adjust** the beam angle. Tight after the headlights and brackets.
- 9. Assembly** the front bumper and grille.
- 10. Additional information:** To reverse the car to std. remove the parts installed. Regarding the fibber parts, the front bumper openings you did can be closed by tape or others. You only need to acquire a new front grille to substitute the reworked one.



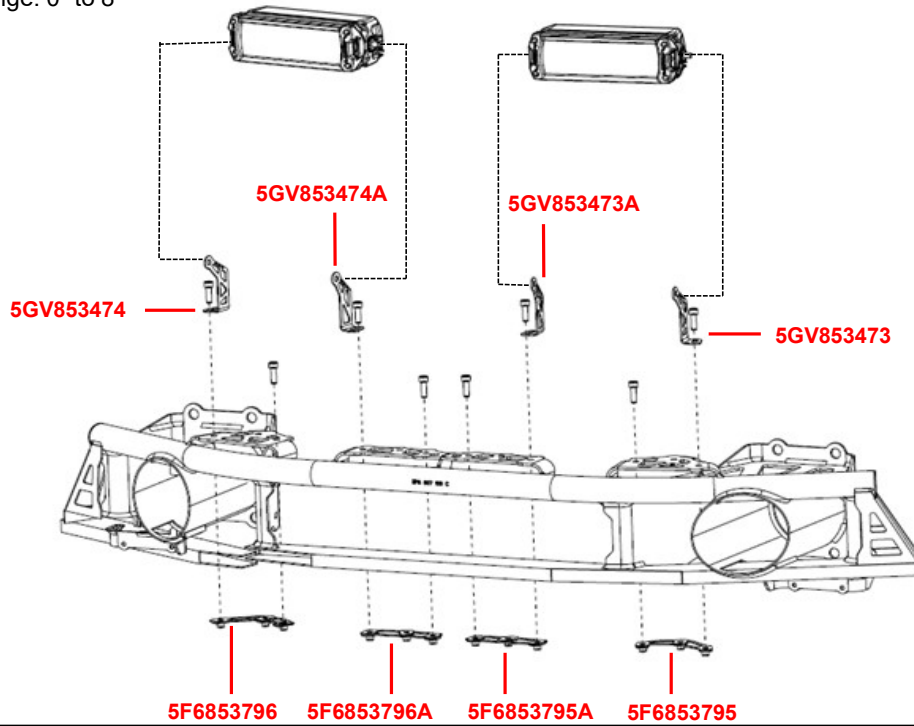
ENDURANCE HEADLIGHTS KIT



Volkswagen Motorsport

Parts view

- Endurance front bar to the bodywork tightening *x8 M10x35 bolts at 60Nm*
- Fix the endurance headlights harness along the front bar by plastic clamps
- Adjustment angle range: 0° to 8°

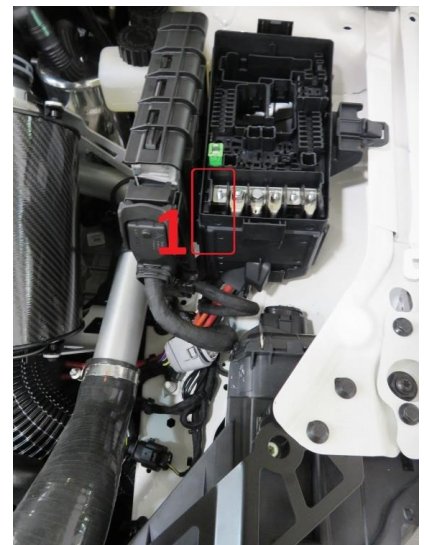
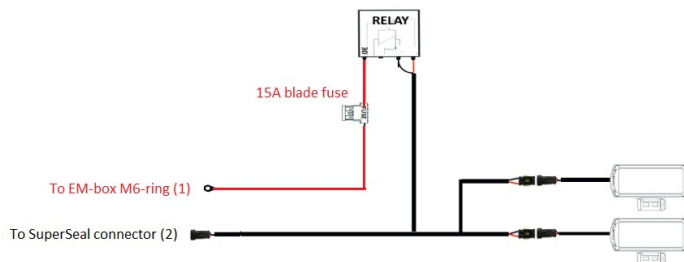


ENDURANCE HEADLIGHTS KIT

Electrical connection & turning on

HARNESS CONNECTION

- Connect the endurance lights to the harness provided
- Connect the positive wire on the EM box. (1)
- Connect the headlights to the free SuperSeal connector available on the engine bay, left side. (2)



TURN ON-OFF

- Switch on the high beam. Endurance headlights turns on when high beam lights are activated.

